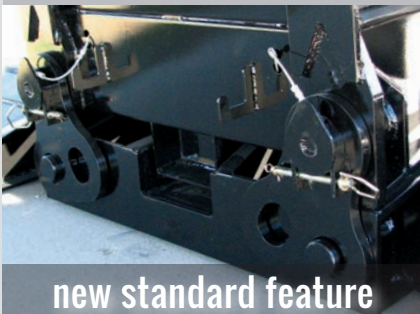


XL 70, 80 & 90 MDE: STANDARD FEATURES



SUSPENSION FEATURES



new standard feature

Manual ride height control and double donuts allow the main deck height to vary 1½" in the wheel area and 1½" at the neck.

ONE-PIECE EXTEND-A-TRAC



new standard feature

The patented Extend-a-trac now features a one-piece track pan design for added stability.

EXTENSION STOPS EVERY 2'



new standard feature

The Extend-a-trac has extension stops every 2' for added versatility.

TOOLBOX IN GOOSENECK WITH LIGHT



new standard feature

The lockable toolbox in the base of the gooseneck has an aluminum cover, a chain rack, and a light to find your items at night with ease.

REAR COUPLER USER-FRIENDLY DESIGN



new standard feature

The rear coupler uses an angled control panel, making it easier to reach all the needed controls: air, electric, and raise & lower valve.

XL 70, 80 & 90 MDE: STANDARD FEATURES

FULL-WIDTH DETACHABLE NECK



new standard feature

The **mechanical full-width gooseneck** is standard for XL MDEs. 80 & 90 MDE necks have **brackets for a 36" flip neck**.

SEALED ELECTRICAL PACKAGE



12V sealed grote harness, rubber mounted **LED lights** (2 tail lights come standard) are installed after paint.

APITONG DECKING



The main deck stands up to years of wear and tear, with **1½" flush Apitong decking**, which is stronger than Oak.

FULLY EQUIPPED MAIN DECK



new standard feature

The XL MDE deck is fully equipped for versatile hauling, with (14) ½" chain drops per side, 8 bent D-rings per side, swingout **outrigger brackets** for use with swingout outriggers.

TRACTION AIDS



new standard feature

Traction aids on the rear bridge transition assist when loading onto the rear bridge.

PREPPED FOR FA/MB



new standard feature

XL 70 & 80 MDEs are **reinforced for a flip axle**. The XL 90 MDE is **reinforced for a 2 axle booster**.

TOP QUALITY MATERIALS



Built to last trailers start with top quality materials: **T-1 flange** and **80K web** provide strength and durability.

XL 70, 80 & 90 MDE: POPULAR OPTIONS

AIR WEIGH DIGITAL SCALE



The **Air Weigh** scale digitally reads the loaded weight on the axle group, making accurate loading more efficient.

LIGHT OPTIONS



Add a **4" amber strobe light** as a 3rd or 4th tail light. Add pullout and clearance lights to increase visibility.

CUSTOM PAINT



Non-standard paint comes in both metallic and non-metallic. Choose a custom color to match your truck.

FLIP NECK



80 & 90 MDEs accommodate a **36" flip neck**.

MAIN DECK STORAGE



A **storage area** in the rear of the main deck (in the mini deck) provides a place for your chains and tie downs.

AXLE SPACING OPTIONS



XL MDE's are available in both **54" axle spacing** and **60" axle spacing**. 54" spacing trailers have a 9' long rear bridge & 30" mini-deck. 60" spacing has a 9'6" long rear bridge and a 24" mini-deck.

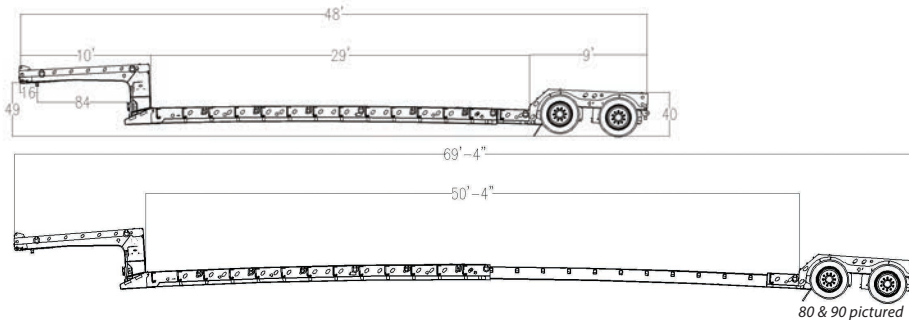
BATTERY BACK-UP



The **battery back-up** unit keeps the trailer's lights on when the neck is detached, increasing roadside safety.

There are many more options to choose from. See the next page, ask your sales rep for more details.

XL 70, 80 & 90 MDE: STANDARD SPECS



XL70MDE

CAPACITY: 70,000 LB OVERALL CLOSED
CONCENTRATED: 50,000 LB IN 10' CLOSED
OAL: 48' | OAW: 102"

XL80MDE

CAPACITY: 80,000 LB OVERALL CLOSED
CONCENTRATED: 60,000 LB IN 10' CLOSED
OAL: 48' | OAW: 102"

XL90MDE

CAPACITY: 90,000 LB OVERALL CLOSED
CONCENTRATED: 70,000 LB IN 10' CLOSED
OAL: 48' | OAW: 102"

GOOSENECK

MECHANICAL DETACHABLE FULL-WIDTH
10' LONG
49" 5TH WHEEL HEIGHT
84" SWING CLEARANCE
16" KING PIN SETTING W/ 3/8" PLATE
(2) BENT D-RINGS PER SIDE
(2) PAN STYLE D-RINGS PER SIDE, ON
CORNER
1 1/8" APITONG DECKING FLUSH
ALUMINUM MUDFLAPS
DOUBLE DONUT FRONT
CONNECTOR PLATE
TOOLBOX IN BASE W/ LOCKABLE
ALUMINUM LID, CHAIN RACK, LIGHT
(2) FLAG HOLDERS
80 & 90: BRACKETS FOR 36" FLIP NECK

GOOSENECK OPTIONS

PULL OUT LIGHTS
1 PAIR CLEARANCE LIGHTS
1 3/8" APITONG DECKING - RAISED
REGISTRATION HOLDER
36" FLIP NECK (FOR 80 & 90 ONLY)

REAR BRIDGE

54" AXLE SPACING: 9' LONG
60" AXLE SPACING: 9' 6" LONG
40" DECK HEIGHT
1 1/8" APITONG DECKING FLUSH
(2) FLAG HOLDERS
(2) STAKE POCKETS IN TAIL CHANNEL
(2) PAN STYLE D-RINGS PER SIDE, ON
CORNER
66" WIDE BUMPER AT REAR
*70 & 80: FRAME REINFORCEMENT
FOR FLIP AXLE*
*90: FRAME REINFORCEMENT FOR
2 AXLE BOOSTER*

REAR BRIDGE OPTIONS

1 PAIR CLEARANCE LIGHTS
PULL OUT LIGHTS
4" AMBER STROBE TAIL LIGHT
ADDITIONAL TAIL LIGHT
BATTERY BACK UP
(1) 4-WAY PLUG
1 3/8" APITONG DECKING - RAISED
DOCK BUMPERS

MAIN DECK

29' - 50' 4" LONG
PATENTED EXTEND-A-TRAC
EXTENSION STOPS 24" ON CENTER
T-1 FLANGE, 80K WEB
(4) FAB I-BEAMS
20" LOADED DECK HEIGHT
6" GROUND CLEARANCE
FORMED CROSS MEMBERS
ON 12" CENTERS
(8) BENT D-RINGS PER SIDE
1 1/8" APITONG DECKING FLUSH,
CENTER COVERED
RAMP TAPERS TO 4"
(14) 1/2" CHAIN DROPS PER SIDE
REMOVABLE SWING OUT OUTRIGGER
BRACKETS ON 24" CENTERS
54" AXLE SPACING: 30" LONG MINI-DECK
60" AXLE SPACING: 24" LONG MINI-DECK

MAIN DECK OPTIONS

STORAGE COMPARTMENT IN REAR
OF MAIN DECK (MINI DECK)
REMOVABLE SWING OUT OUTRIGGERS
OAK OUTRIGGER PLANKS, 2" X 10"
1 3/8" APITONG DECKING - RAISED
ADDITIONAL CLEARANCE LIGHTS
4-WAY PLUGS

AXLES

(2) 25,000 LB NOMINAL
HUB PILOT, OUTBOARD DRUMS
4S2M ABS
16 1/2" X 7" BRAKES
(2) PAIR SPRING BRAKES

AXLE OPTIONS

PSI TIRE INFLATION SYSTEM
HUBOMETER
TP AXLES (SAME INNER & OUTER BEARINGS)
LIMIT STRAPS
DUST SHIELDS
CAM COVERS

WHEELS & TIRES

8.25 X 22.5 STEEL RIMS
255 / 70R / 22.5 TIRES

WHEEL AND TIRE OPTIONS

ALUMINUM MILL WHEELS
ALUMINUM POLISHED WHEELS
ALUMINUM DURABRIGHT WHEELS
MICHELIN 255/70R/22.5 TIRES
GOODYEAR 275/70R/22.5 TIRE
(41" REAR BRIDGE)

SUSPENSION

25,000 LB AIR RIDE
RAISE AND LOWER VALVE
MANUAL RIDE HEIGHT CONTROL

SUSPENSION OPTIONS

LIQUID FILLED AIR GAUGE
AIR WEIGH DIGITAL SCALE

LIGHTING

D.O.T. APPROVED 12V SEALED
GROTE HARNESS
RUBBER MOUNTED LED LIGHTS
2 TAIL LIGHT PACKAGE WITH
ALUMINUM COVER

PAINT

1 YEAR WARRANTY
BLACK, IH RED, OR NEW CAT YELLOW
AIR & ELECTRIC DONE AFTER PAINT

PAINT OPTIONS

NON-STANDARD PAINT COLORS
NON-STANDARD METALLIC PAINT

AVAILABLE MODELS

XL 70 MDE
XL 80 MDE
XL 90 MDE

OTHER CUSTOM CAPACITIES AND
OPTIONS ALSO AVAILABLE,
ASK YOUR SALES REP FOR DETAILS
STANDARD FEATURES VARY WITH CUSTOM MDEs